

For the following igus® series

E4.1L

- E4.31L/R4.31L

E4.1

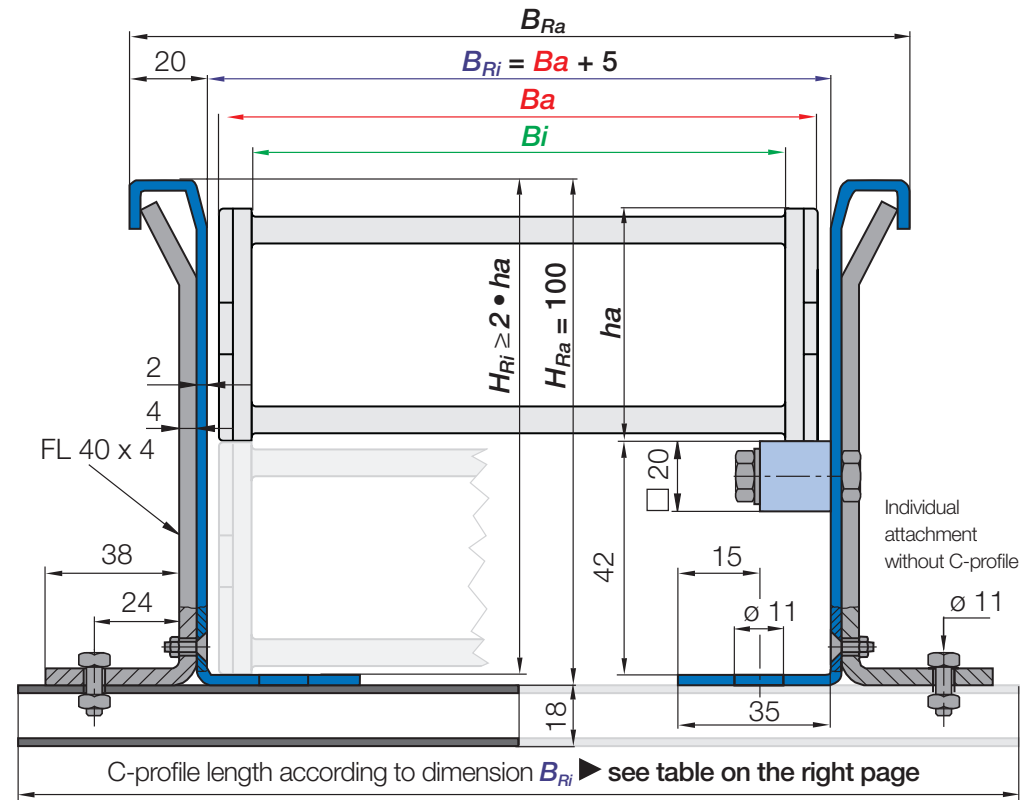
- E4.28/R4.28

E6.1

- E61.35

E6

- E6.35



Note: The inner width of the guide trough and the C-profile length of the installation set can differ according to the mounting bracket you choose. Please call us.

C-profile length according to dimension B_{Ri} ▶ see table on the right page

Steel guide trough | Full set

Trough side parts	Part No.	Weight
Trough side part, without glide bar, 2m section	99.30.E ¹⁾ / E44 ²⁾ / E45 ³⁾	≈ 5.00kg
Trough side part, with glide bar, bolted, 2m section	99.31.E ¹⁾ / E44 ²⁾ / E45 ³⁾	≈ 6.00kg
Installation sets	Part No.	Weight
1 installation set without C-profile	95.50	≈ 0.41kg
1 installation set with C-profile (C-profile length according to dimension B_{Ri})	95.50.XXX*	upon request

*Please add the C-profile length **XXX** as shown on the tables on the right page. Example: 95.50.200

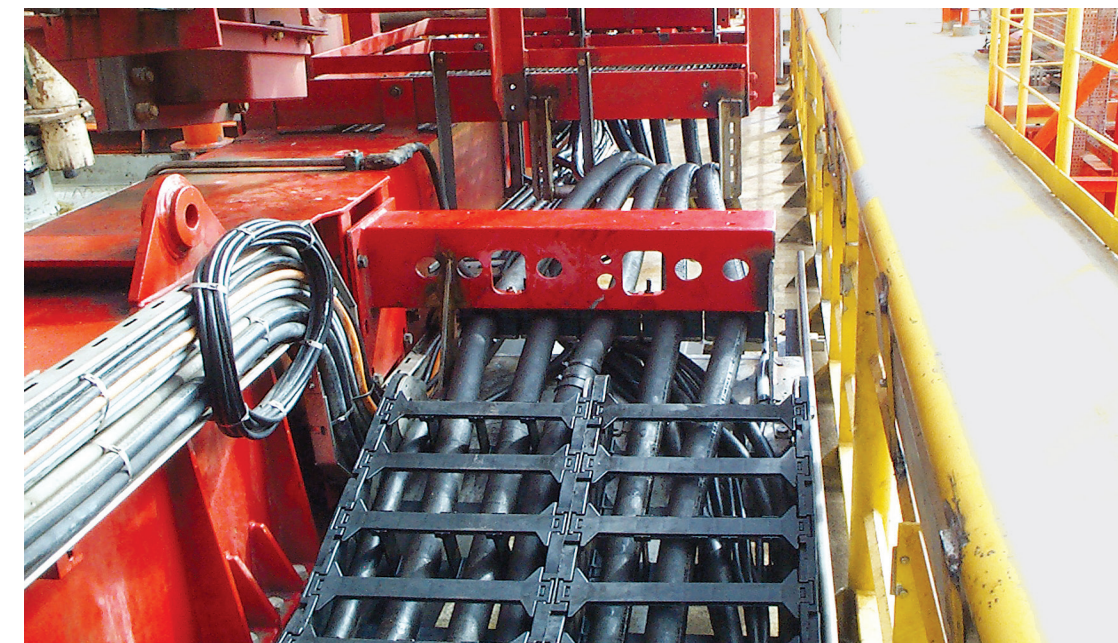
Steel guide trough | Components as individual parts

Individual parts, trough	Part No.	Weight
1 trough side part, individual, 2m section	99.11.E ¹⁾ / E44 ²⁾ / E45 ³⁾	≈ 5.00kg
1 glide bar, plastic, individual, 2m section	92.01	≈ 0.75kg
1 glide bar, individual, 2m section + 11 screw sets	92.20	≈ 0.98kg
1 package with 11 screw sets (for glide bar, 2m section)	92.21	≈ 0.23kg
Individual parts, installation set	Part No.	Weight
1 clamping bracket, individual	95.51	≈ 0.16kg
1 countersunk-head screw, individual	92.53 / M6 x 14	
1 hexagon nut, individual	92.54 / M6	
1 hexagon-head screw, individual	92.55 / M10 x 16	
1 glide nut, individual	92.56 / M10	
1 C-profile, individual (C-profile length according to dimension B_{Ri})	92.52.XXX*.E ¹⁾	≈ 0.90kg/m
Additional option for simple fixing of the e-chain® without drilling	Part No.	Weight
1 set fixed end module (more information ▶ Page 1240)	99.80.01	≈ 10.00kg

*Please add the C-profile length **XXX** as shown on the tables on the right page. Example: 92.52.200

- 1) Trough side parts + C-profile - also available in 304 stainless steel, material 1.4301 (AISI 304). Please add index **E** to the Part No.
- 2) Trough side parts - also available in 316 stainless steel, material 1.4404 (AISI 316L). Please add index **E44** to the Part No.
- 3) Trough side parts - also available in 316 stainless steel, material 1.4571 (AISI 316Ti). Please add index **E45** to the Part No.

E4.31L/R4.31L			E4.28/R4.28			E61.35			E6.35		
Width index	B_{Ri} [mm]	Part No. Installation set	Width index	B_{Ri} [mm]	Part No. Installation set	Width index	B_{Ri} [mm]	Part No. Installation set	Width index	B_{Ri} [mm]	Part No. Installation set
.040	59	upon request	.040	65	upon request	.030	51	upon request	.030	55	upon request
.050	69	upon request	.050	75	95.50.200	.040	61	upon request	.040	65	upon request
.062	81	95.50.200	.062	87	95.50.200	.050	71	95.50.175	.050	75	95.50.200
.075	94	95.50.200	.075	95	95.50.200	.060	81	95.50.200	.060	85	95.50.200
.087	106	95.50.225	.087	100	95.50.225	.070	91	95.50.200	.070	95	95.50.200
.100	119	95.50.225	.100	112	95.50.225	.080	101	95.50.225	.080	105	95.50.225
.112	131	95.50.250	.112	125	95.50.250	.090	111	95.50.225	.090	115	95.50.225
.125	144	95.50.250	.125	150	95.50.275	.100	121	95.50.225	.100	125	95.50.250
.137	156	95.50.275	.150	175	95.50.300	.110	131	95.50.250	.110	135	95.50.250
.150	169	95.50.275	.175	200	95.50.325	.120	141	95.50.250	.120	145	95.50.250
.162	181	95.50.300	.200	225	95.50.350	.140	161	95.50.275			
.175	194	95.50.300	.225	250	95.50.375						
.187	206	95.50.325	.250	275	95.50.400						
.200	219	95.50.325	.275	300	95.50.425						
			.300	325	95.50.450						



Light weight and high strength: this igus® polymer e-chain® carries rigid hydraulic hoses