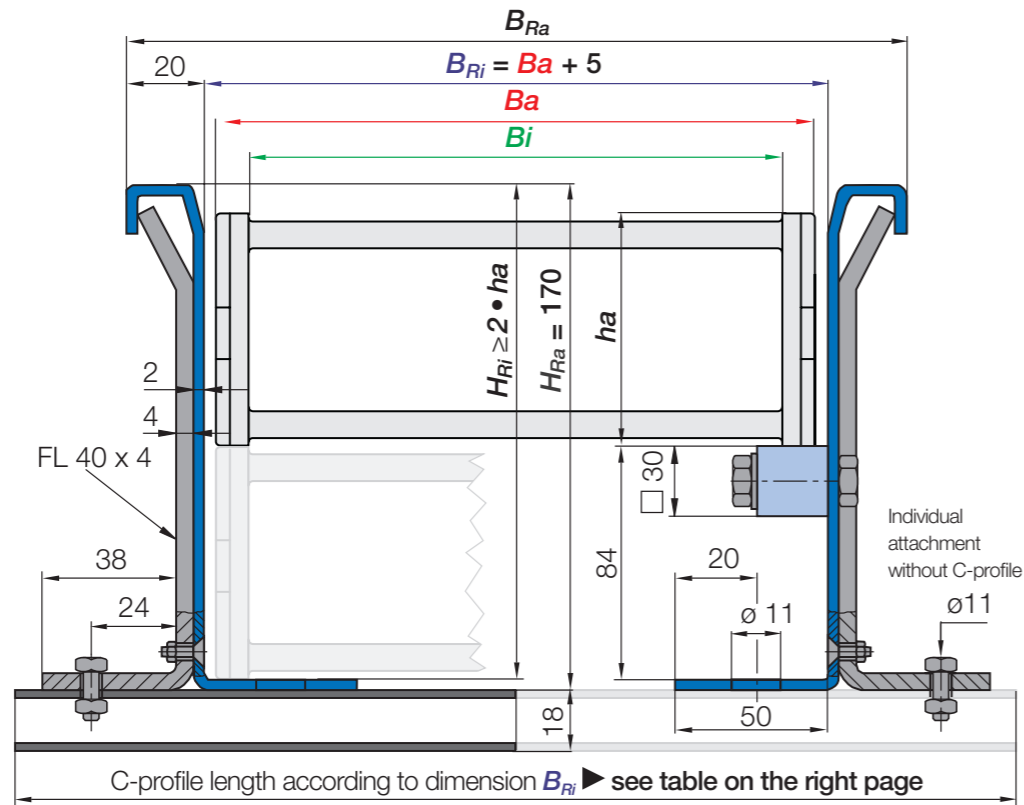


For the following igus® series

- E4.1L**
- E4.64L
- E4.1**
- E4.56/H4.56/R4.56
- E4/light**
- 14040/14140/R18840
- 14240/14340
- E6.1**
- E61.62
- E6**
- E6.62

Option: with reinforced mounting angles for extremely demanding heavy-duty applications

Note: The inner width of the guide trough and the C-profile length of the installation set can differ according to the mounting bracket you choose. Please call us.



Steel guide trough | Full set

Trough side parts	Part No.	Weight
Trough side part, without glide bar, 2m section	94.30.E ¹⁾ / E44 ²⁾ / E45 ³⁾	≈ 7.35kg
Trough side part, with glide bar, bolted, 2m section	94.31.E ¹⁾ / E44 ²⁾ / E45 ³⁾	≈ 9.50kg
Installation sets	Part No.	Weight
1 installation set without C-profile	94.50	≈ 0.58kg
1 installation set with C-profile (C-profile length according to dimension B_{Ri})	94.50.XXX*	upon request

*Please add the C-profile length **XXX** as shown on the tables on the right page. Example: 94.50.350

Steel guide trough | Components as individual parts

Individual parts, trough	Part No.	Weight
1 trough side part, individual, 2m section	94.11.E ¹⁾ / E44 ²⁾ / E45 ³⁾	≈ 7.35kg
1 glide bar, plastic, individual, 2m section	93.01	≈ 1.68kg
1 glide bar, individual, 2m section + 11 screw sets	93.20	≈ 2.22kg
1 package with 11 screw sets (for glide bar, 2m section)	93.21	≈ 0.54kg
Individual parts, installation set	Part No.	Weight
1 clamping bracket, individual	94.51	≈ 0.25kg
1 countersunk-head screw, individual	92.53 / M6 x 14	
1 hexagon nut, individual	92.54 / M6	
1 hexagon-head screw, individual	92.55 / M10 x 16	
1 glide nut, individual	92.56 / M10	
1 C-profile, individual (C-profile length according to dimension B_{Ri})	92.52.XXX*.E ¹⁾	≈ 0.90kg/m
Additional option for simple fixing of the e-chain® without drilling	Part No.	Weight
1 set fixed end module (more information ► Page 1240)	94.80.01	≈ 14.70kg

*Please add the C-profile length **XXX** as shown on the tables on the right page. Example: 92.52.350.E

- 1) Trough side parts + C-profile - also available in 304 stainless steel, material 1.4301 (AISI 304). Please add index **E** to the Part No.
- 2) Trough side parts - also available in 316 stainless steel, material 1.4404 (AISI 316L). Please add index **E44** to the Part No.
- 3) Trough side parts - also available in 316 stainless steel, material 1.4571 (AISI 316Ti). Please add index **E45** to the Part No.

E4.56			14040/14140/R18840			14240/14340			E61.62			E6.62		
Width index	B_{Ri} [mm]	Part No. Installation set	Width index	B_{Ri} [mm]	Part No. Installation set	Width index	B_{Ri} [mm]	Part No. Installation set	Width index	B_{Ri} [mm]	Part No. Installation set	Width index	B_{Ri} [mm]	Part No. Installation set
.05	89	upon request	.05	81	upon request	.05	81	upon request	.05	87	upon request	.05	91	upon request
.06	104	94.50.225	.06	96	upon request	.06	99	upon request	.06	105	94.50.225	.06	109	94.50.225
.07	114	94.50.225	.07	106	94.50.225	.07	106	94.50.225	.07	112	94.50.225	.07	116	94.50.225
.08	121	94.50.225	.10	131	94.50.250	.087	119	94.50.250	.087	124	94.50.250	.087	128	94.50.250
.10	139	94.50.250	.11	144	94.50.275	.10	131	94.50.250	.10	137	94.50.250	.10	141	94.50.250
.11	152	94.50.275	.12	156	94.50.275	.11	139	94.50.250	.11	145	94.50.275	.11	149	94.50.275
.12	164	94.50.275	.13	169	94.50.300	.112	144	94.50.275	.112	149	94.50.275	.112	153	94.50.275
.13	177	94.50.300	.15	181	94.50.300	.12	156	94.50.275	.12	162	94.50.275	.12	166	94.50.275
.15	189	94.50.300	.16	194	94.50.325	.137	169	94.50.300	.137	174	94.50.300	.137	178	94.50.300
.16	202	94.50.325	.17	206	94.50.325	.15	181	94.50.300	.15	187	94.50.300	.15	191	94.50.300
.17	214	94.50.325	.18	219	94.50.350	.162	194	94.50.325	.162	199	94.50.325	.162	203	94.50.325
.18	227	94.50.350	.20	231	94.50.350	.17	199	94.50.325	.17	205	94.50.325	.17	209	94.50.325
.20	239	94.50.350	.21	244	94.50.375	.18	206	94.50.325	.18	212	94.50.325	.18	216	94.50.325
.21	252	94.50.375	.22	256	94.50.375	.187	219	94.50.350	.187	224	94.50.350	.187	228	94.50.350
.22	264	94.50.375	.23	269	94.50.400	.20	231	94.50.350	.20	237	94.50.350	.20	241	94.50.350
.23	277	94.50.400	.25	281	94.50.400	.212	244	94.50.375	.212	249	94.50.375	.212	253	94.50.375
.25	289	94.50.400	.26	294	94.50.425	.23	256	94.50.375	.23	262	94.50.375	.23	266	94.50.375
.26	302	94.50.425	.27	306	94.50.425	.237	269	94.50.400	.237	274	94.50.400	.237	278	94.50.400
.27	314	94.50.425	.28	319	94.50.450	.25	281	94.50.400	.25	287	94.50.400	.25	291	94.50.400
.28	327	94.50.450	.30	331	94.50.450	.262	294	94.50.425	.262	299	94.50.425	.262	303	94.50.425
.30	339	94.50.450	.31	344	94.50.475	.28	306	94.50.425	.28	312	94.50.425	.28	316	94.50.425
.31	352	94.50.475	.32	356	94.50.475	.29	319	94.50.450	.29	324	94.50.450	.29	328	94.50.450
.32	364	94.50.475	.33	369	94.50.500	.30	331	94.50.450	.30	337	94.50.450	.30	341	94.50.450
.33	377	94.50.500	.35	381	94.50.500	.312	344	94.50.475	.312	349	94.50.475	.312	353	94.50.475
.35	389	94.50.500	.36	394	94.50.525	.325	356	94.50.475	.325	362	94.50.475	.325	366	94.50.475
.36	402	94.50.525	.37	406	94.50.525	.337	369	94.50.500	.337	374	94.50.500	.337	378	94.50.500
.37	414	94.50.525	.38	419	94.50.550	.350	381	94.50.500	.350	387	94.50.500	.350	391	94.50.500
.38	427	94.50.550	.40	431	94.50.550	.362	394	94.50.525	.362	399	94.50.525	.362	403	94.50.525
.40	439	94.50.550	.41	444	94.50.575	.375	406	94.50.525	.375	412	94.50.525	.375	416	94.50.525
.41	452	94.50.575	.42	456	94.50.575	.384	419	94.50.550	.387	424	94.50.550	.387	428	94.50.550
.42	464	94.50.575	.43	469	94.50.600	.400	431	94.50.550	.400	437	94.50.550	.400	441	94.50.550
.43	477	94.50.600	.45	481	94.50.600									
.45	489	94.50.600	.46	494	94.50.625									
.46	502	94.50.625	.47	506	94.50.625									
.47	514	94.50.625	.48	519	94.50.650									
.48	527	94.50.650	.50	531	94.50.650									
.50	539	94.50.650	.51	544	94.50.675									
.51	552	94.50.675	.52	556	94.50.675									
.52	564	94.50.675	.53	569	94.50.700									
.53	577	94.50.700	.55	581	94.50.700									
.55	589	94.50.700	.60	631	94.50.750									
.60	639	94.50.750												

E4.64L		
Width index	B_{Ri} [mm]	Part No. Installation set
.087	118	94.50.225
.100	131	94.50.250
.150	181	94.50.300
.200	231	94.50.350



Extremely dirty and tough environment in coal handling. igus® roller e-chains® guided in tough steel troughs